

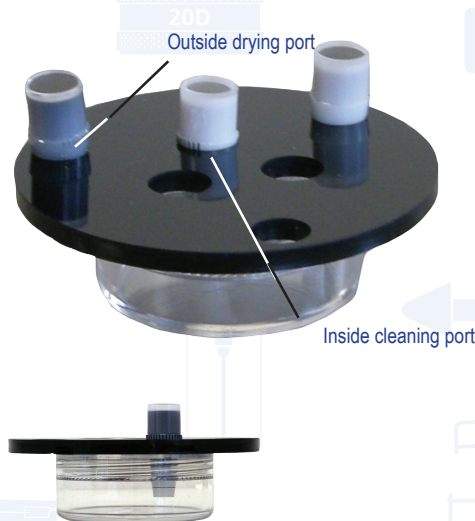
Tonometer Prism Tip Care (Cleaning / Disinfection)

The prism head of Goldmann-type tonometers should be cleaned immediately after use. The prism should either be soaked in a 1:10 sodium hypochlorite solution (household bleach), 3% hydrogen peroxide, or 70% isopropyl alcohol for 10 minutes. If a soaking solution is used, the prism should be rinsed and dried before reuse. If isopropyl alcohol is employed, it should be allowed to evaporate, or the prism head should be dried before reuse.

Although the use of alcohol is a recognized and well-established method of disinfection, its use may cause tension cracks in the tonometer tips. Haag-Streit strongly discourages the use of isopropyl alcohol 70%. Opti-Cide® is recommended for use as a disinfectant solution.

Tonometer Tip Cleaning Station 95385

Tonometer Tip Cleaning Station for GOLDMANN tonometer prisms with screw cap and drying ports
Holds 6 tonometer tips Diameter: 3-1/8" (80 mm)



Tonometer Tip Cleaning Station 95389

Tonometer Tip Cleaning Station for CATS tonometer prisms with screw cap and drying ports
Holds 6 tonometer tips Diameter: 3.5" (89 mm)



The tonometer tip cleaning stations #95385 and #95389 have a screw cap and six ports to hold the tonometer tips. The top unscrews so that cleaning/disinfection solution may be added to the base. The three inside cleaning ports hold the used tonometer tips in the cleaning solution. Once cleaned and disinfected, the tips are moved to one of the three outside drying ports.

Tonometer Tip Container 95383

with screw cap
Holds 3 tonometer tips.
2 ports for cleaning/disinfection,
1 port for drying.
Diameter: 1-3/4" (44 mm)



OPTEGO VISION USA
4525 South Coach Dr
Tucson, AZ 85714
Phone 866-678-6723
Fax 520-209-1586
email@optego.com
www.optegousa.com

OPTEGO VISION SINGAPORE
60 Paya Lebar Rd #11-33
Paya Lebar Square
Singapore 409051
Phone +65 6742 5940
asia@optego.com
www.optego.com.sg